

CLIP MCW (315) CH

无线幕帘式PowerCode红外探测器



安装说明

1. 产品介绍

CLIP MCW 是一款最小巧的, 设计优美的无线幕帘式被动红外探测器, 用于室内安装, 安装简便, 无需垂直调节。采用最先进的FM数据识别和数据处理信息识别技术。

该款探测器采用了一项较新的技术, 在一个探测器中可以具有三种不同的感应器功能, 以在每个特定的安装位置上都能发挥其最优越的性能。这项技术的应用使得该探测器具有更出色的捕捉性能及超强防误报的能力。

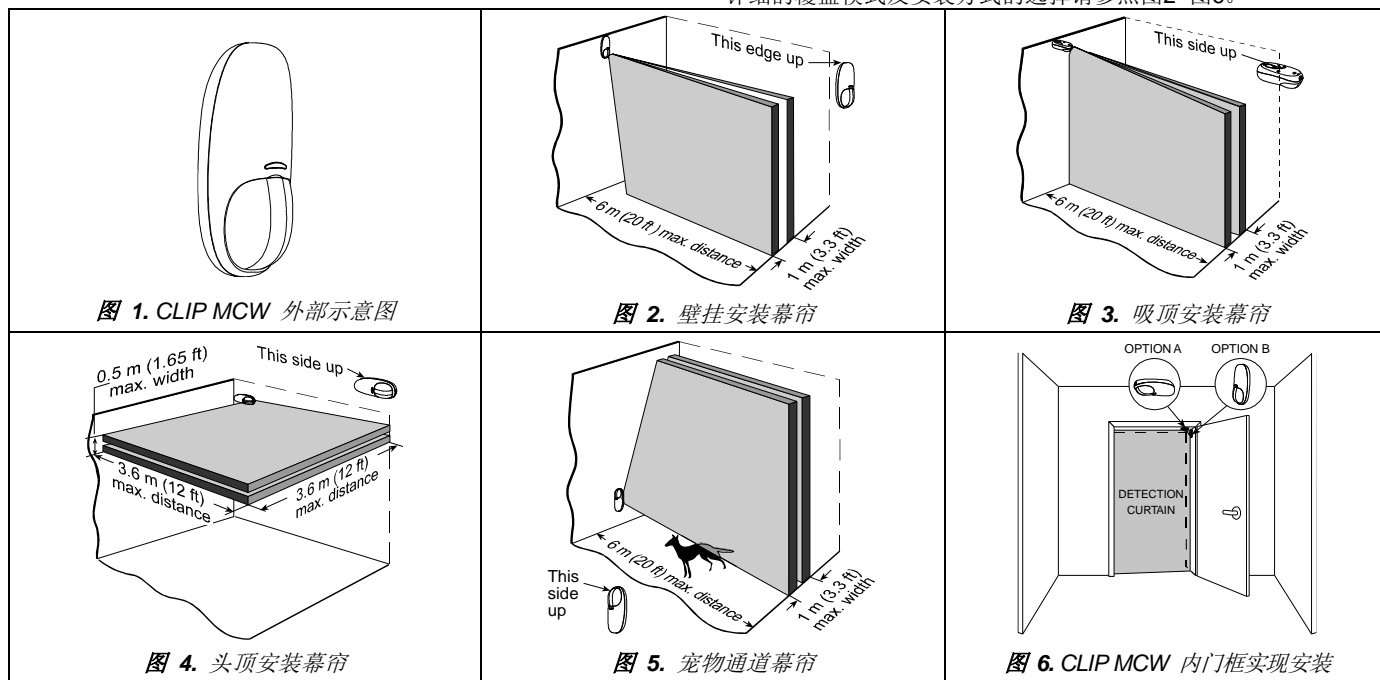
该款探测器优于其它同类产品的地方在于其采用了“真实移动识别技术”(TMR)。这项专利技术使得CLIP MCW能够区别是人的真实移动还是其他会导致误报的干扰信号。

CLIP MCW在探测之后, 会自动恢复为撤防状态, 以节约电能。在探测到上个动作的2分钟之后, 则又自动转换为重新布防状态。

CLIP MCW 具有以下特点:

- 低电能消耗
- 微处理器控制的温度补偿技术
- 密封外壳设计, 保护光学系统
- 前盖设有防拆开关
- 后置的防拆开关(可选)
- 防白光保护
- 外观优雅, 牢固可靠

详细的覆盖模式及安装方式的选择请参照图2~图6。



2. 规格说明

光学特性

探测器种类: 双元低噪音热电感应器

幕帘数: 2

安装位置: 请见图2~图6

范围设定: 长距离(6 m), 中距离(4 m)及短距离(2 m)。 (通过跳线选择)

电路及电子元件

内置电池: 3V 锂电池, 型号CR123A., UL 安装, 选用Panasonic或者Sanyo

预计电池容量: 1450 mA/h.

电池寿命(LED打开): 3 years (一般使用情况下)

电池电量测试: 当电池置入后立即测量, 或每隔几个小时进行周期性的测量。

微处理器: 8位, 低电压CMOS.

功能

可视指示:

LED 灯在步行测试模式下传输报警或防拆信号时亮灯3秒。

LED 灯在上电稳定的阶段闪灯约两分钟, 或盖上前盖(防拆开关复位)后闪灯。

LED 灯在传输监控信息的时候不亮灯。

报警时间: 大约3 秒

重新布防计时器: 在上次报警后的2分钟后重新布防。

无线

频率(MHz): 315 (U.S.版), 433.92, 868.95, 869.2625或其它符合当

地标准的频率。

信号传输次序: 在3秒内于不同间隔下发送3个数据

编码: 24-位ID编码, 超过16,000,000种组合的可能

信息长度: 36 位

防拆警报: 当发生防拆开关被打开的事件时, 会附在其后的信息中被发送出去, 直到防拆开关复位。

监控信息: 每隔60分钟发送一次(U.S.标准), 或每隔15分钟发送一次(UK 标准), 或依据当地的标准。

安装

高度: 1.8 - 2.4 m (6 - 8 ft).

安装选项I: 见图9至图13.

环境

工作温度: -10°C ~ 50°C (14°F ~ 122°F).

储存温度: -20°C ~ 60°C (-4°F ~ 140°F).

RFI 防护: > 20 V/m~1000 MHz.

物理特征

体积(H x W x D): 105 x 35 x 30 mm (4-1/8 x 1-3/8 x 1-3/16 in.).

重量 (连同电池): 60 g (2.1 oz).

外壳颜色: 白色

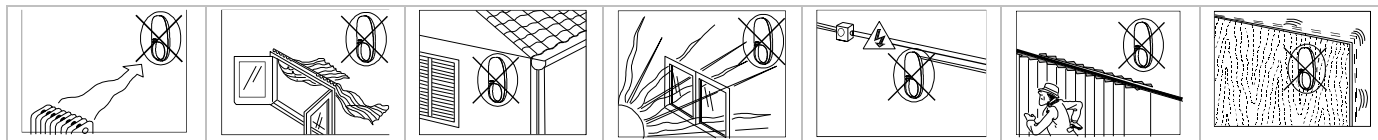
专利技术

美国专利号 5,693,943

DE3594

3. 安装

3.1 总体安装指导原则



3.2 常规安装

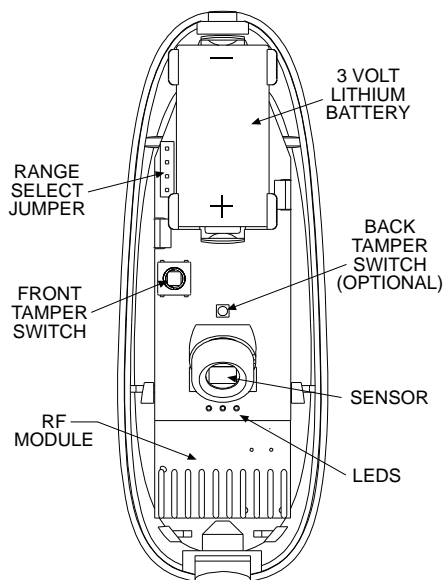


图 7. 内部结构图

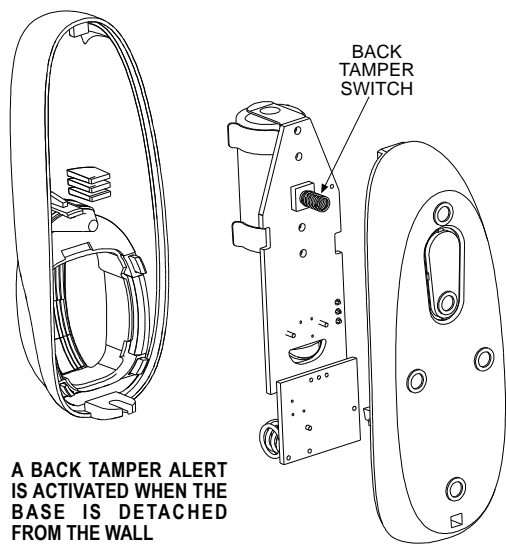


图 8. 后置防拆开关图示

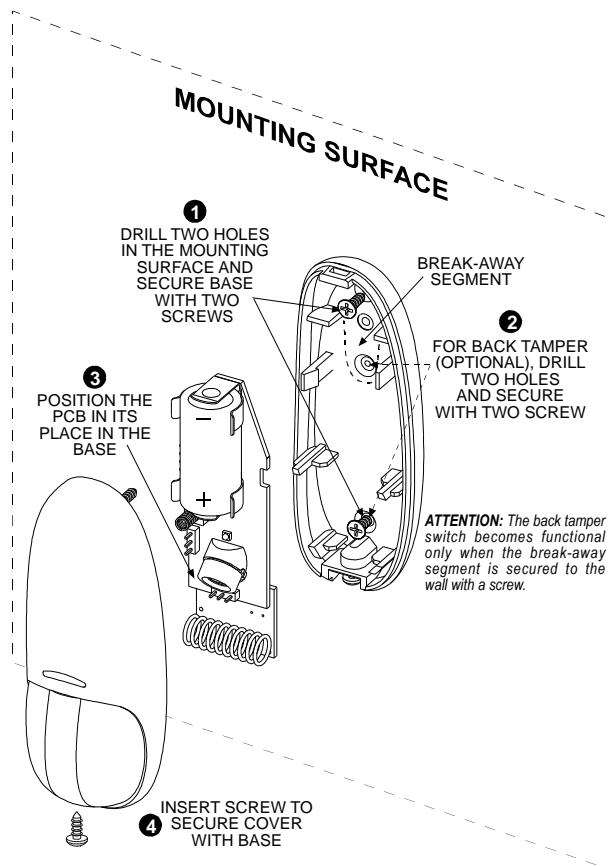


图 9. 壁挂安装

注:

- 1) 安装之后, 请确保探测器在安装时不留任何空隙。例如, 在螺丝孔的周围。
- 2) 用手指取出电池, 不能使用螺丝刀。

3.3 支架安装

注: 当实现带支架安装时, 探测器后部的防拆开关无效。

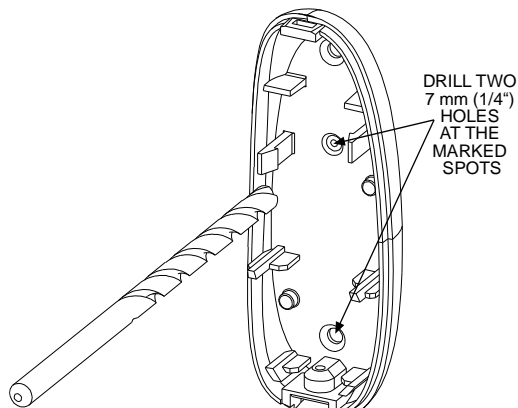


图 10. 钻孔

NOTE: THE BRACKET PROVIDES TWO MOUNTING OPTIONS FOR OPTIMUM ANGLE COVERAGE.

* USE THESE TWO HOLES TO INCREASE THE COVERAGE RANGE BY 5°

** USE THESE TWO HOLES TO INCREASE THE COVERAGE RANGE BY 10°

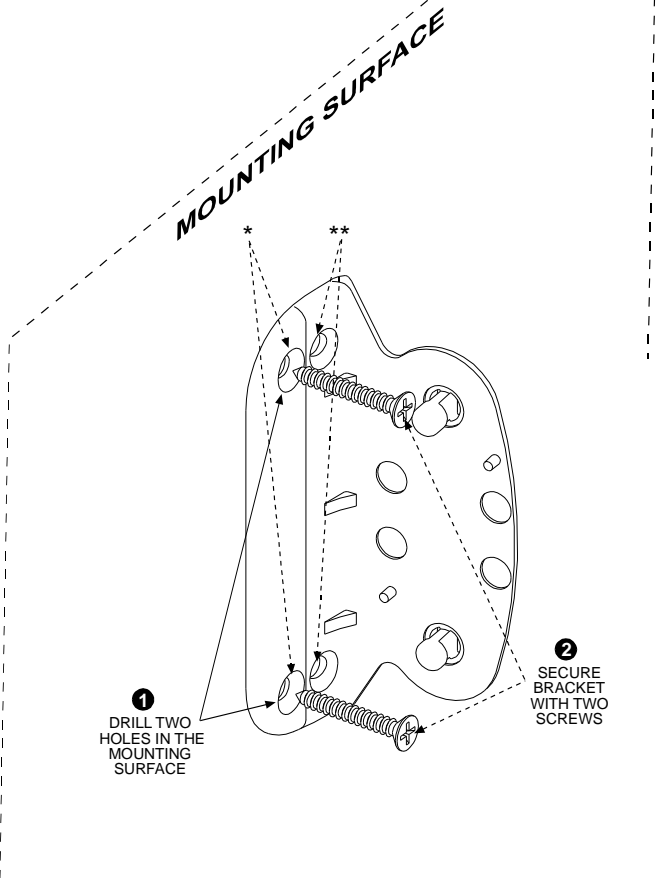


图 11. 将支架安装于墙面

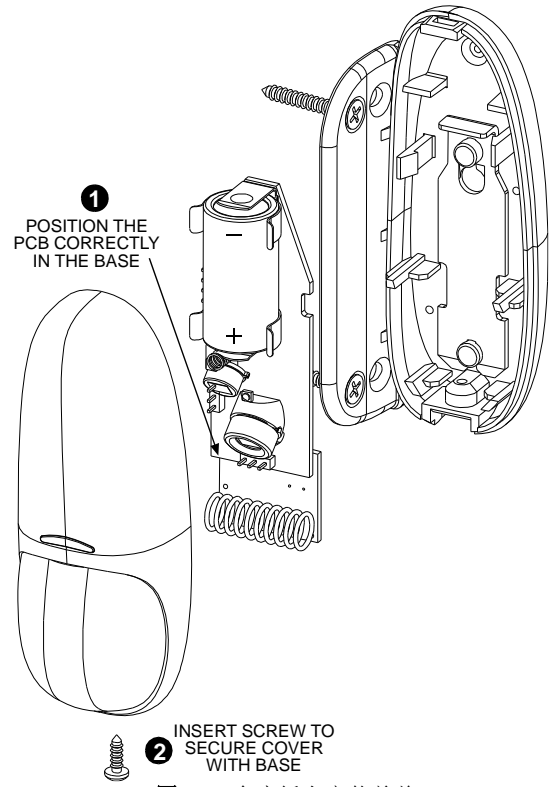
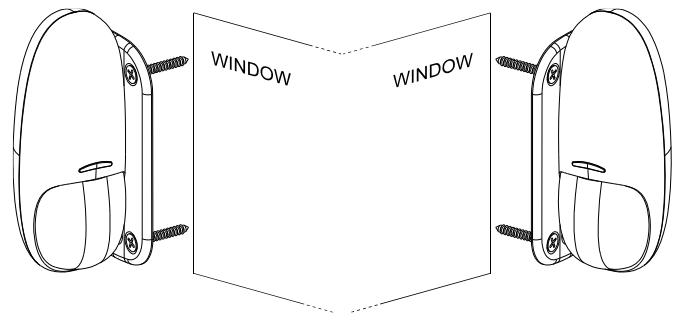


图 13. 在底板上安装前盖



注: CLIP MCW可以安装在窗户的任意一侧

图 14. 在窗户两边进行安装

3.4 设置覆盖范围

一种4跳线的设置可用来选择3种不同的覆盖范围，依据不同的覆盖模式及幕帘光束(见图7及15).

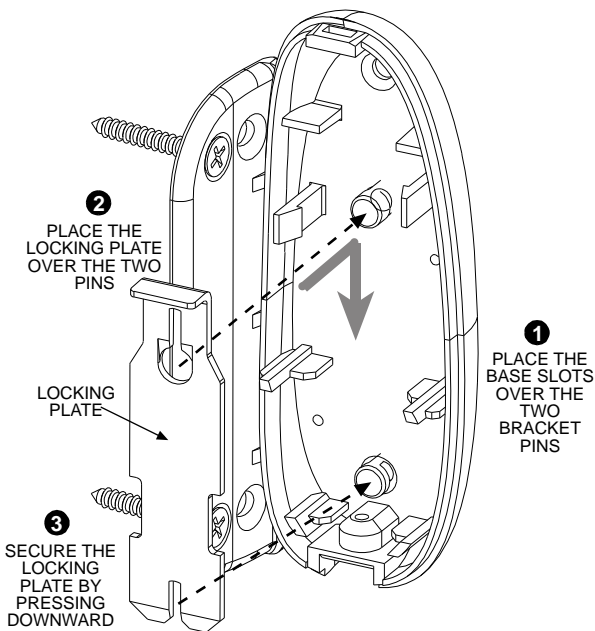


图 12. 将薄片与底板相固定

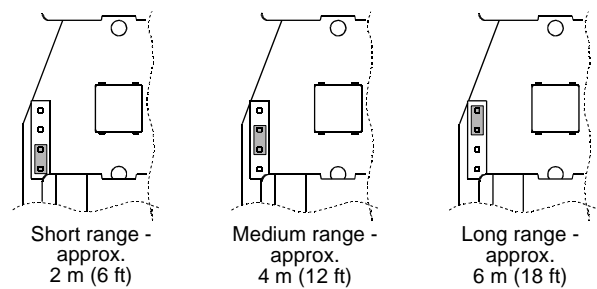


图 15. 探测范围跳线的设置

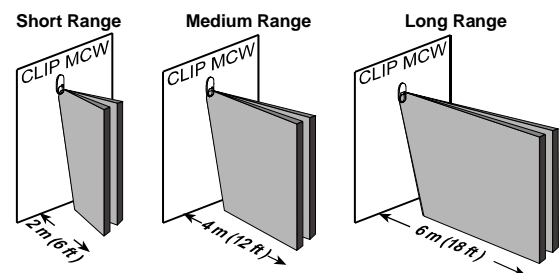


图 16. 范围设置的示意图

范围调节的目的在于确保最理想的信号处理方式以及超强防误报能力。

将范围调节的跳线设置到理想位置，以确保整个防区在探测器覆盖范围之内（见图16）。同时进行步行测试以确保其正常发挥功能（见段落3.5）。

3.5 步行测试

A. 安装上前盖，上紧螺丝。等待探测器稳定（LED灯在盖上前盖后约闪灯2分钟，2分钟后停止）。

B. 反方向进入，缓慢穿过防区，观察LED灯亮灯情况，当进入或退出光束时，LED灯都会亮大约3秒。请在2个测试之间间隔5秒以待探测器趋于稳定。

重要：为确保探测器的正常工作，每周需测试至少一次步行测试。

注：盖上前盖后的15分钟后探测器自动转为步行测试模式。在该模式下，不管LED灯的跳线怎么来设置，只要探测器探测到行为发生，LED灯则会闪灯，并且每探测到一个事件发生，探测器则会向外发射信号。

4. SPECIAL COMMENTS

4.1 Product Limitations

Visonic Ltd. wireless systems are very reliable and are tested to high standards. However, due to their low transmitting power and limited range (required by FCC and other regulatory authorities), there are some limitations to be considered:

- A. Receivers may be blocked by radio signals on or near their operating frequencies, regardless of the code selected.
- B. A receiver can only respond to one signal at a time.
- C. Wireless equipment should be tested regularly to determine whether there are sources of interference and to protect against faults.
- D. Even the most sophisticated detectors can sometimes be defeated or may fail to warn due to: DC power failure / improper connection, malicious masking of the lens, tampering with the optical system, decreased sensitivity in ambient temperatures near that of the human body and unexpected failure of a component part.
The above list includes the most common reasons for failure to detect intrusion, but is by no means comprehensive. It is therefore recommended that the detector and the entire alarm system be checked weekly, to ensure proper performance.
- E. An alarm system should not be regarded as a substitute for insurance. Home and property owners or renters should be prudent enough to continue insuring their lives and property, even though they are protected by an alarm system.

4.2 Compliance with Standards

The 315 MHz version of this device complies with Part 15 of the FCC Rules. Operation is subject to the following two conditions: (1) This device may not cause harmful interference, and (2) This device must accept any interference received, including interference that may cause undesired operation.

WARNING! Changes or modifications to this unit not expressly approved by the party responsible for compliance could void the user's authority to operate the equipment.

The digital circuit of this device has been tested and found to comply with the limits for a Class B digital device, pursuant to Part 15 of the FCC Rules. These limits are designed to provide reasonable protection against harmful interference in residential installations. This equipment generates uses and can radiate radio frequency energy and, if not installed and used in accordance with the instructions, may cause harmful interference to radio and television reception. However, there is no guarantee that interference will not occur in a particular installation. If this device does cause such interference, which can be verified by turning the device off and on, the user is encouraged to eliminate the interference by one or more of the following measures:

- Re-orient or re-locate the receiving antenna.
- Increase the distance between the device and the receiver.
- Connect the device to an outlet on a circuit different from the one which supplies power to the receiver.
- Consult the dealer or an experienced radio/TV technician.

4.3 Frequency Allocations for Wireless Devices in European (EU) Countries

- 315 MHz is not allowed in any EU member state.
- 433.92 MHz has no restriction in any EU member state.
- 868.95 MHz (wide band) is allowed in all EU member states.
- 869.2625 MHz (narrow band) is not restricted in any EU member state.

WARRANTY

Visonic Ltd. and/or its subsidiaries and its affiliates ("the Manufacturer") warrants its products hereinafter referred to as "the Product" or "Products" to be in conformance with its own plans and specifications and to be free of defects in materials and workmanship under normal use and service for a period of twelve months from the date of shipment by the Manufacturer. The Manufacturer's obligations shall be limited within the warranty period, at its option, to repair or replace the product or any part thereof. The Manufacturer shall not be responsible for dismantling and/or reinstallation charges. To exercise the warranty the product must be returned to the Manufacturer freight prepaid and insured.

This warranty does not apply in the following cases: improper installation, misuse, failure to follow installation and operating instructions, alteration, abuse, accident or tampering, and repair by anyone other than the Manufacturer.

This warranty is exclusive and expressly in lieu of all other warranties, obligations or liabilities, whether written, oral, express or implied, including any warranty of merchantability or fitness for a particular purpose, or otherwise. In no case shall the Manufacturer be liable to anyone for any consequential or incidental damages for breach of this warranty or any other warranties whatsoever, as aforesaid.

This warranty shall not be modified, varied or extended, and the Manufacturer does not authorize any person to act on its behalf in the modification, variation or extension of this warranty. This warranty shall apply to the Product only. All products, accessories or attachments of others used in conjunction with the Product, including batteries, shall be covered solely by their own warranty, if any. The Manufacturer shall not be liable for any damage or loss whatsoever, whether directly, indirectly, incidentally, consequentially or otherwise, caused by the malfunction of the Product due to products, accessories, or attachments of others, including batteries, used in conjunction with the Products.

The Manufacturer does not represent that its Product may not be compromised and/or circumvented, or that the Product will prevent any death, personal and/or bodily injury and/or damage to property resulting from burglary, robbery, fire or otherwise, or that the Product will in all cases provide adequate warning or protection. User understands that a properly installed and maintained alarm may only reduce the risk of events such as burglary, robbery, and fire without warning, but it is not insurance or a guarantee that such will not occur or that there will be no death, personal damage and/or damage to property as a result.

The Manufacturer shall have no liability for any death, personal and/or bodily injury and/or damage to property or other loss whether direct, indirect, incidental, consequential or otherwise, based on a claim that the Product failed to function. However, if the Manufacturer is held liable, whether directly or indirectly, for any loss or damage arising under this limited warranty or otherwise, regardless of cause or origin, the Manufacturer's maximum liability shall not in any case exceed the purchase price of the Product, which shall be fixed as liquidated damages and not as a penalty, and shall be the complete and exclusive remedy against the Manufacturer.

Warning: The user should follow the installation and operation instructions and among other things test the Product and the whole system at least once a week. For various reasons, including, but not limited to, changes in environmental conditions, electric or electronic disruptions and tampering, the Product may not perform as expected. The user is advised to take all necessary precautions for his/her safety and the protection of his/her property.

6/91



W.E.E.E. Product Recycling Declaration

For information regarding the recycling of this product you must contact the company from which you originally purchased it. If you are discarding this product and not returning it for repair then you must ensure that it is returned as identified by your supplier. **This product is not to be thrown away with everyday waste.** Directive 2002/96/EC Waste Electrical and Electronic Equipment.



VISONIC LTD (ISRAEL): P.O.B 22020 TEL-AVIV 61220 ISRAEL. PHONE: (972-3) 645-6789, FAX: (972-3) 645-6788

VISONIC INC. (U.S.A.): 65 WEST DUDLEY TOWN ROAD, BLOOMFIELD CT. 06002-1911. PHONE: (860) 243-0833, (800) 223-0020 FAX: (860) 242-8094

VISONIC LTD. (UK): FRASER ROAD, PRIORY BUSINESS PARK, BEDFORD MK44 3WH. PHONE: (0870) 7300800 FAX: (0870) 7300801

INTERNET: www.visonic.com

©VISONIC LTD. 2004

CLIP MCW

DE3594- (REV. 1, 12/04).



MADE IN ISRAEL